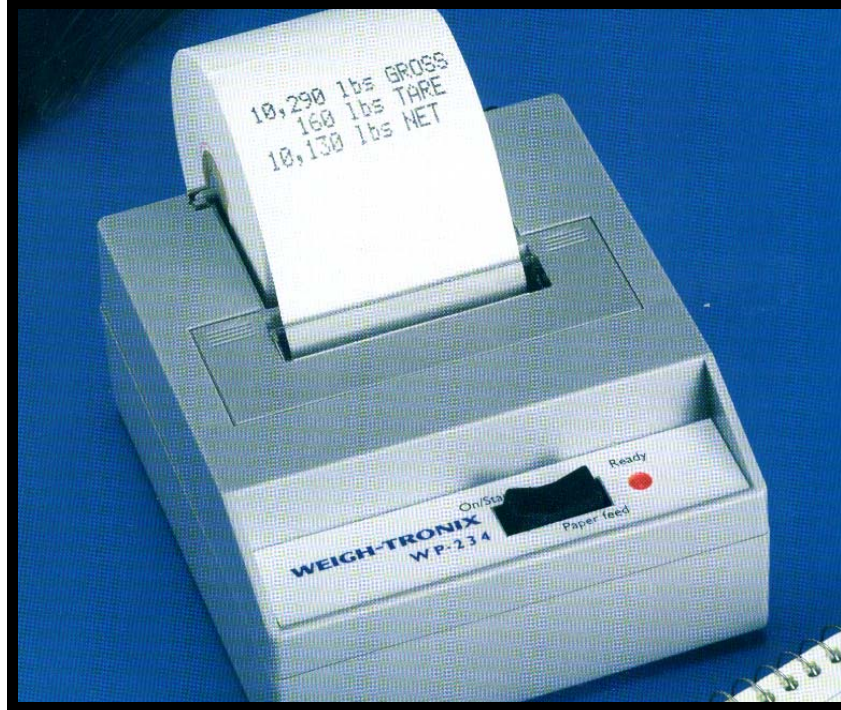


# Impact Dot Matrix Printer

# On-board Printer

**IPR-Series**

On-board Dot Matrix Printer for SP-Series



*This IPR printer is designed to meet your specific application requirement to provide a paper copy for load weight readout from SkidWeigh Plus Series lift truck check weighing systems.*

## Features

- RS-232, serial interface
- Small enough to fit any lift truck dashboard
- Uses standard 21/4' adding machine paper
- Accepts two part paper roll
- Automatic paper roll loading
- Easily replaceable ink cartridge
- International character set
- Dual function rocker switch: On/Standby/ Paper feed
- Available for 12 V DC and (24 to 48V DC) system
- Small footprint

## SkidWeigh Plus Report

<b>Date:</b>	<b>95/02/24</b>
<b>Time:</b>	<b>11 :34</b>
<b>Oper.ID</b>	<b>1201</b>
<b>Vehicle #.</b>	<b>32</b>
<b>Dep.#:</b>	<b>12</b>
<b>Way#.</b>	<b>1708</b>
<b># of WRT</b>	<b>4</b>
<b>Tot.Weight:</b>	<b>12015 lb</b>

*( sample of print out report )*

## Technical Data

### Interface-Serial

Baud rates: 300,600,1200,2400,4800 and 9600

### Character Buffering

- 9.5K standard

### Print Method

- Impact dot matrix

### Character Matrix

- 5 x 8 or 5 x 5 matrix

### Character Spacing

- 24 column: 12,8 characters/inch
- 2 column: 17 characters/inch
- 40 column: 21 characters/inch

### Line Feed Spacing

- 7,6 lines per inch in character mode
- 9,1 lines per inch in graphic mode

### Print Speed

- 38 lines per minute for 24 column
- 33 lines per minute for 32 and 40 column

### Paper

- Table top: 2,25"W x 2,75"D.;044"ID
- Panel mount: 2,25"W x 1,25"D

### Power

- 1.5 W (Idle), 10W (While printing)

### DC Voltage

- 12 V DC 100mA idle, 1,5A with 100% printing

### External Dimensions

- 4"W x 4,5"L x 2"H (12V DC model)
- 5 1/2"W x 7 1/4"L x 3 1/4"H (24 to 48v DC)

### Operating Temperature

- 5°C to 40°C

### Shipping Weight

- 4 lbs

### Print Head Life

500,000 lines mean characters before failure

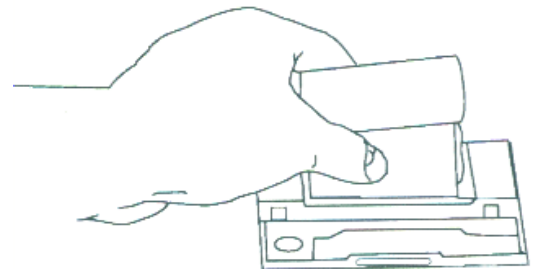
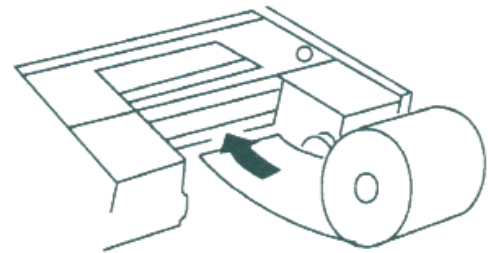
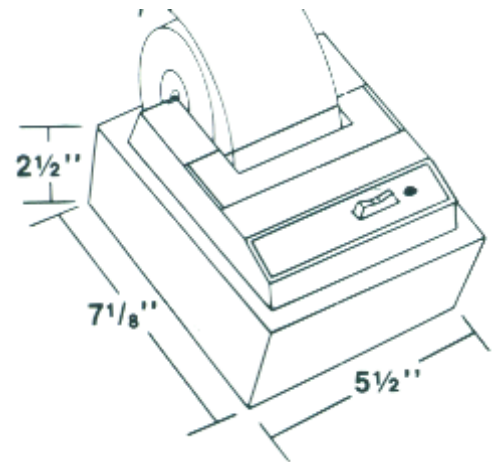
### Accessories

- Printer Ribbon, Order No. ECR-09
- Paper Rolls, Order No. IPR-3
- Paper Spindle, Order No. IPR-4
- Printer power cable for 12V DC, IPR-5

### RS-232 Printer cable

- Printer cable for 12V DC, IPR-6
- Printer cable for 24 to 48V DC, IPR-7
- 

## On-board printer for 24 to 48 V DC



## On-board printer for 12 V DC

